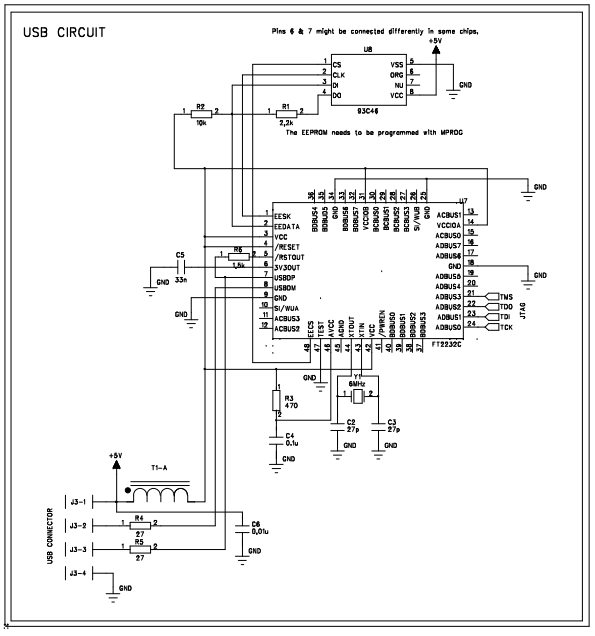
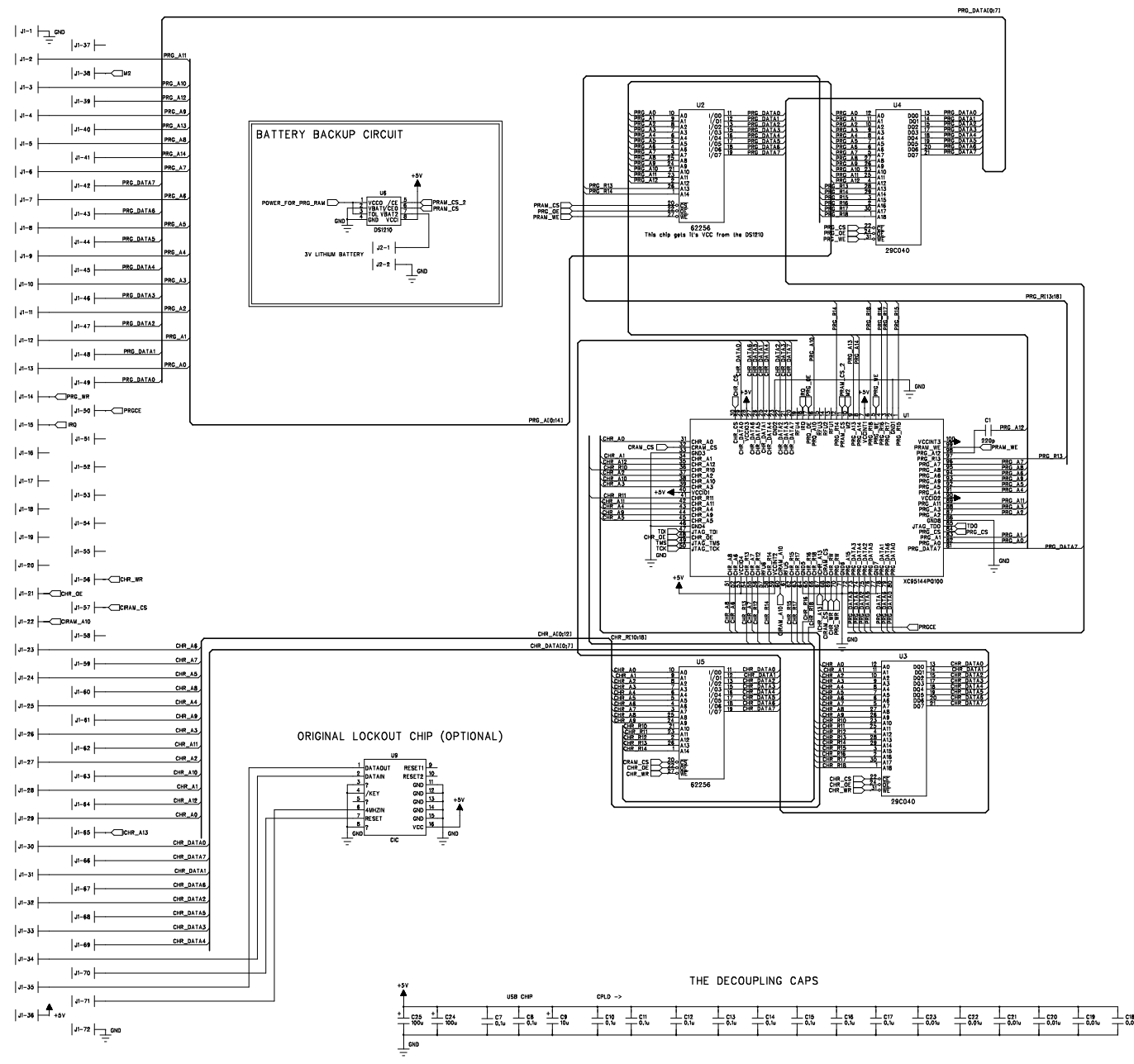


REVISION RECORD			
LTR	ECC NO.	APPROVED	DATE



COMPANY:		LAHDEN AMMATTIKORKEAKOULU	
TITLE:		FUNKYFLASHCARD REV A	
DRAWN:	DATE:	CODE:	DRAWING NO.:
AH		A3	1
CHECKED:	DATE:	SIZE:	REV.:
AH			A
QUALITY CONTROL:	DATE:	SCALE:	SHEET: 1 OF 1
AH			
RELEASED:	DATE:		
20 April 2006			

D

D

C

C

B

B

A

A